

- For 2 hour express manufacturing, please select below. (Additional Cost Apply)
- Please don't call as we are unable to provide phone support due to security reasons, however if you have any urgent questions please email us.

### Billing Details

**First Name:** 
**Last Name:**

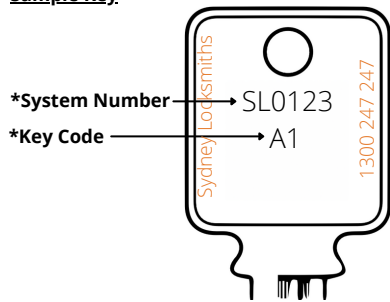
**Phone No:** 
**E-Mail:**

**Delivery Address:** 
**Store Pick up:**

**Suburb:** 
**State:** 
**Post Code:**

### Restricted Unit/Common Keys

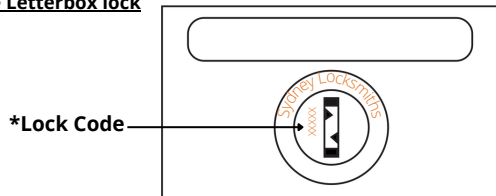
#### Sample Key



<b>*System Number:</b>	<input type="text"/>	<b>*System Number:</b>	<input type="text"/>	<b>Restricted Rekey:</b>	<input type="checkbox"/>
<b>*Key Code:</b>	<input type="text"/>	<b>*Key Code:</b>	<input type="text"/>	<b>Cylinder Replacement:</b>	<input type="checkbox"/>
<b>Quantity:</b>	<input type="text"/>	<b>Quantity:</b>	<input type="text"/>	<b>Price:</b>	
				First Key	\$60
				Additional Keys	\$35

### Letterbox Key

#### Sample Letterbox lock



<b>*Lock Code:</b>	<input type="text"/>	<b>Price:</b>	
		First Key	\$35
<b>Quantity:</b>	<input type="text"/>	Additional Keys	\$15

### Card Details

**Name On Card:** 
**Expiry:**

**Card Number:** 
**CVN:**

**Cardholder Signature:** 
**Express Manufacturing (Additional Charges):**

### Terms and Conditions

- Orders cannot be cancelled or changed once payment has been made.
- Orders are manufactured strictly in accordance with the information provided on this form.
- Deliveries require a signature. In the event that no one is present when delivery occurs, your order will be taken to Australia Post or to our store where you will have 28 days to collect, this also applies for store pickup, orders beyond this limitation will be destroyed.
- Orders sent via courier are done so at the direction and responsibility of the entity making the order, we don't accept claims for lost or damaged deliveries.
- Sydney Locksmiths PTY LTD reserves the right to alter specifications, prices and conditions without notice or obligation.